

Specification

- Part No. : **A.01.C.301111**
- Product Name : GPS/Galileo Hercules Heavy Duty Screw Mount Antenna
- Description : Two Stage 30dB Active GPS/GALILEO Antenna
Height 29mm Diameter 49mm
UV and Vandal Resistant PC Housing
3m RG-174 RP-SMA(M) – Standard
RoHS & REACH Compliant
- Applications : Location based services
M2M
Telematics
Remote monitoring
Timing for base stations
IP65 Rated Enclosure
Vehicle fleet tracking



1. Introduction

The A.01 Hercules is a high performance thread mount GPS/GALILEO antenna designed for external use on vehicles and outdoor assets. Designed for heavy duty work with one piece C&C machined nickel steel base plate and threads, there are also convenient side slots for running cables laterally. Durable UV resistant ABS housing is IP65 rated, resistant to vandalism and direct attack. At only 29mm high it complies with the latest EU directives for height restrictions, whilst also enabling covert operation with a diameter of 49mm.

Cable lengths, types and connectors are fully customizable. For cable lengths above 5m please use our 40dB LNA A.03 model and low loss cable.

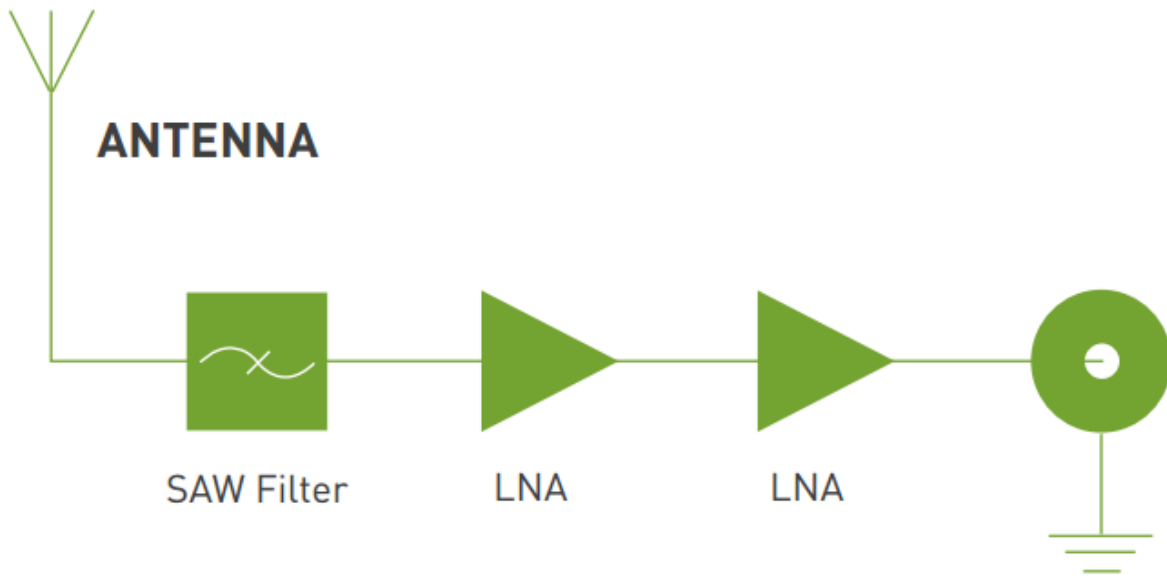
2. Specifications

ELECTRICAL			
Frequency	1575.42MHz ± 1.023MHz		
Dimensions	Height 29mm, Diameter 49mm,		
Impedance	50 ohm		
VSWR	2.0 Max		
GPS Patch Gain	2.0dB Passive Gain at Zenith -1.0dBi Gain at 10 degrees elevation		
Axial ratio	3.0 dB max		
Polarization	RHCP		
Out Band Rejection	fo = 1575.42MHz fo ± 30 MHz 5dB Min. fo ± 50 MHz 20dB Min. fo ± 100 MHz 25dB Min.		
Input Voltage	Min.1.8V	Typ. 3.0V	Max. 5.5V
Total Gain @ Zenith	25dBic	30dBic	32dBic
Current Consumption	6mA	12mA	30mA
Noise Figure	2.7dB	3.0dB	3.7dB

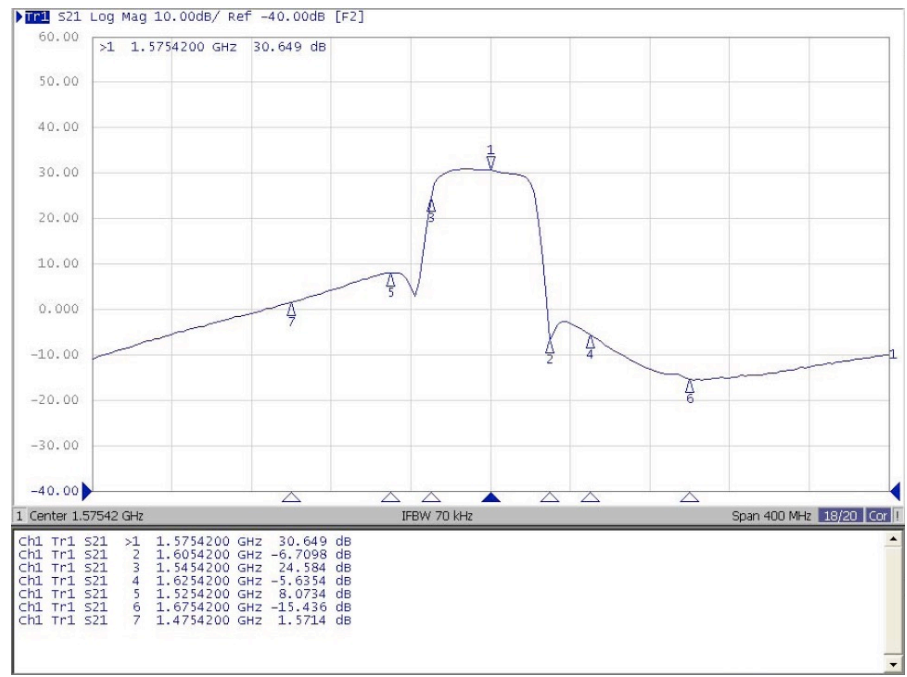
MECHANICAL	
Housing	UV resistant PC
Thread and Base Plate	Nickel Plated Steel/Zinc
Sealing Foam	CR4305 with 3M9448B double-side adhesive
Waterproof	IPX5
Thread Diameter	18mm
Recommended Mounting Torque	24.5N·m
Maximum Mounting Torque	29.4N·m
Operating Temperature	-40°C ~ +85°C
Storage Temperature	-40°C ~ +105°C
Cable/Connectors	3M RG-174 Cables and SMA Connector (std) Fully Customizable
Ingress Protection	IP65

3. LNA

3.1. LNA Functional Circuit

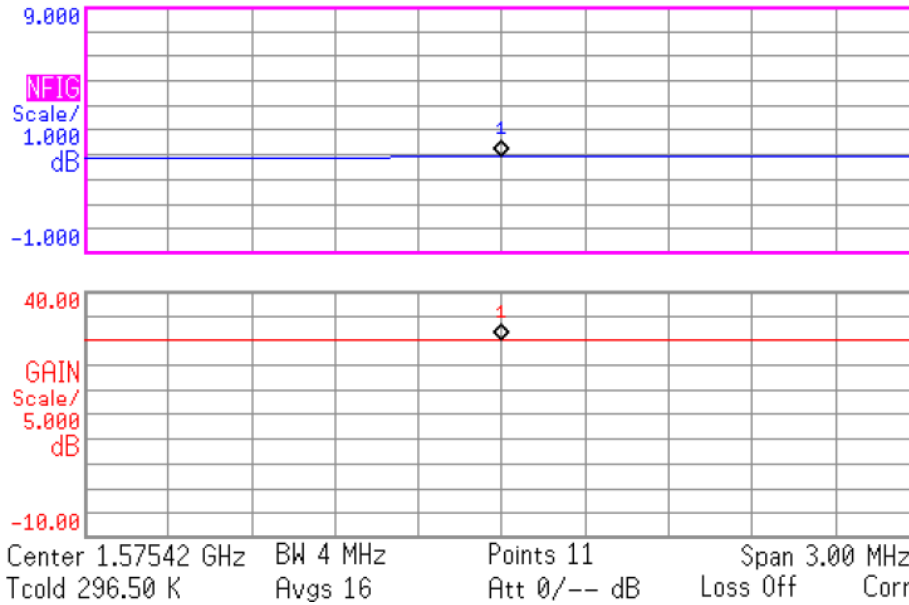


3.2. LNA Gain and Out-band Rejection @ 3.0V

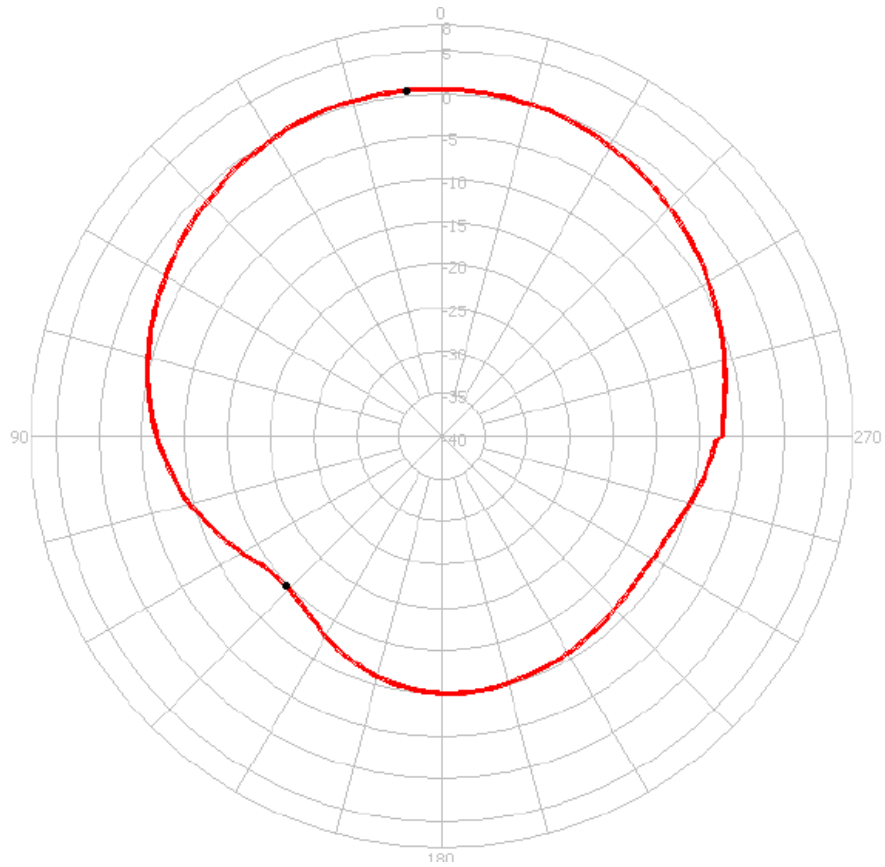


3.3. Noise Figure

Mkr1 1.5754 GHz 2.989 dB 30.298 dB



4. Radiation Patterns

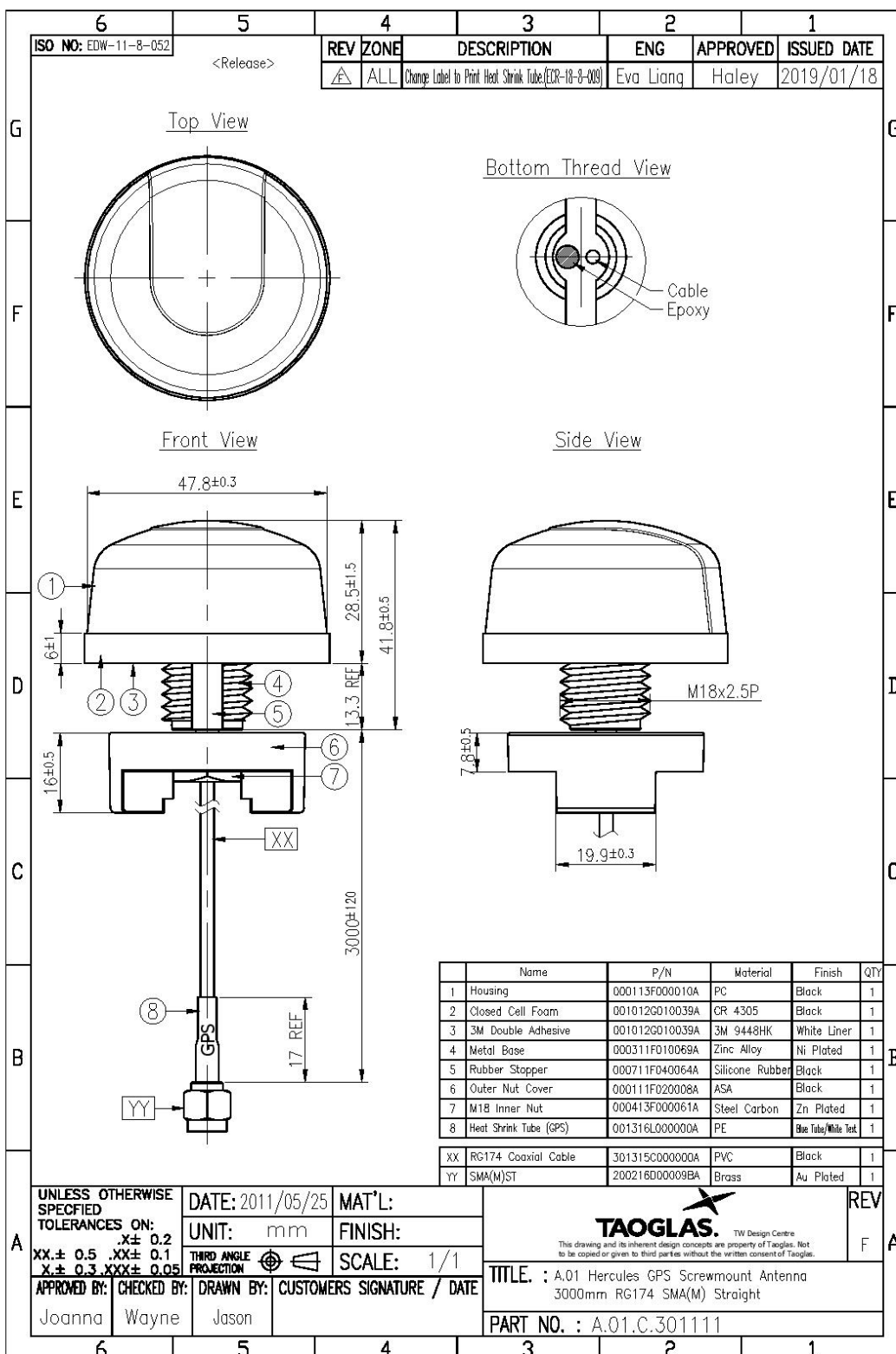


0 degree is the top of Hercules.

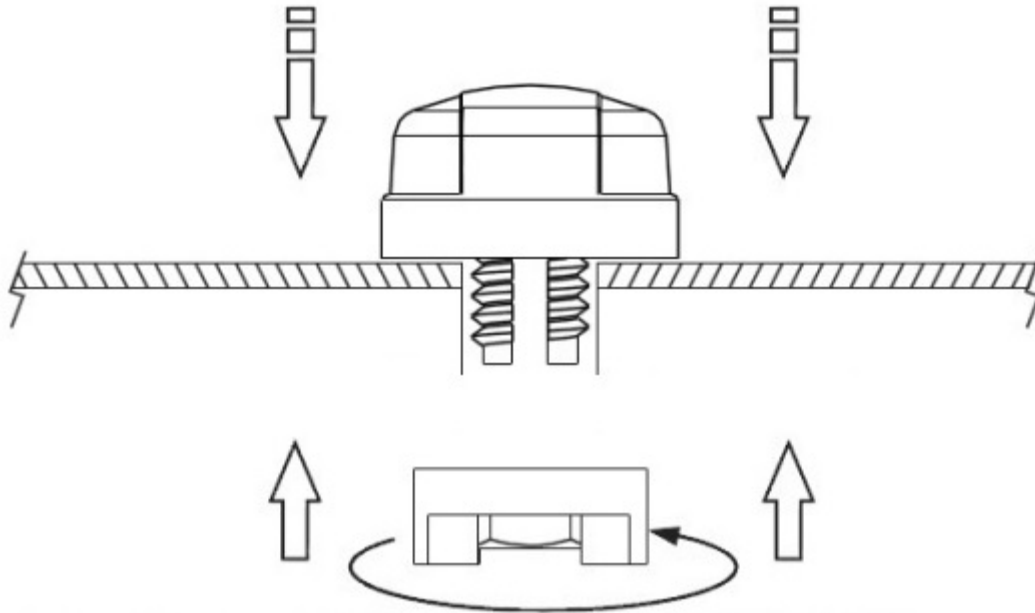


TAOGLAS

5. Mechanical Drawing



6. Installation

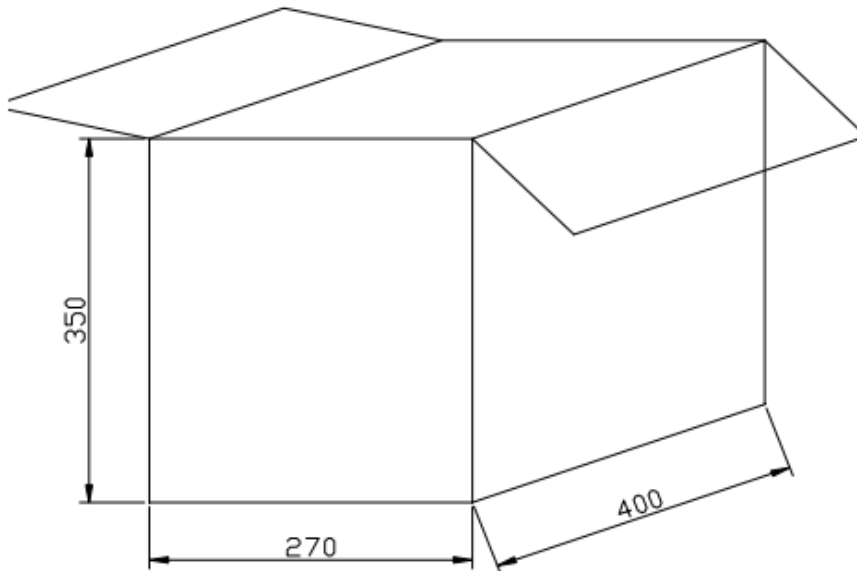
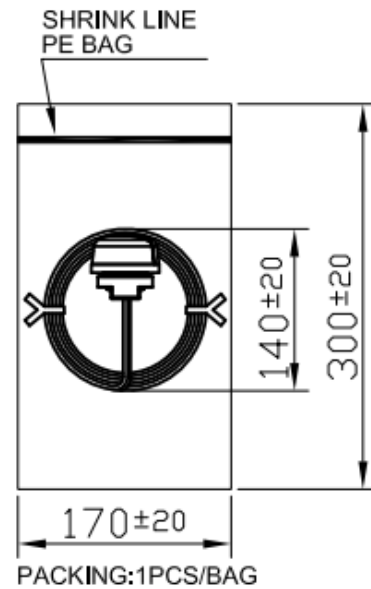


Recommended torque for Mounting is 24.5N·m
Maximum torque for mounting is 29.4N·m

7. Packaging

1pcs antenna per big PE bag
40 big PE bags per box

Unit : mm



Taoglas makes no warranties based on the accuracy or completeness of the contents of this document and reserves the right to make changes to specifications and product descriptions at any time without notice. Taoglas reserves all rights to this document and the information contained herein.

Reproduction, use or disclosure to third parties without express permission is strictly prohibited.

© Taoglas