

Specification

Part No. : **PCB.MMCXFSTJ.SMT.HT**

Product Name : MMCX(F) Surface Mount Jack

Feature : MMCX(F) Jack
Surface Mount PCB Jack
Frequency Range: DC up to 6GHz
Finish: Gold
Leg Length: 0.76mm
Total Length: 5mm
RoHS & REACH Compliant



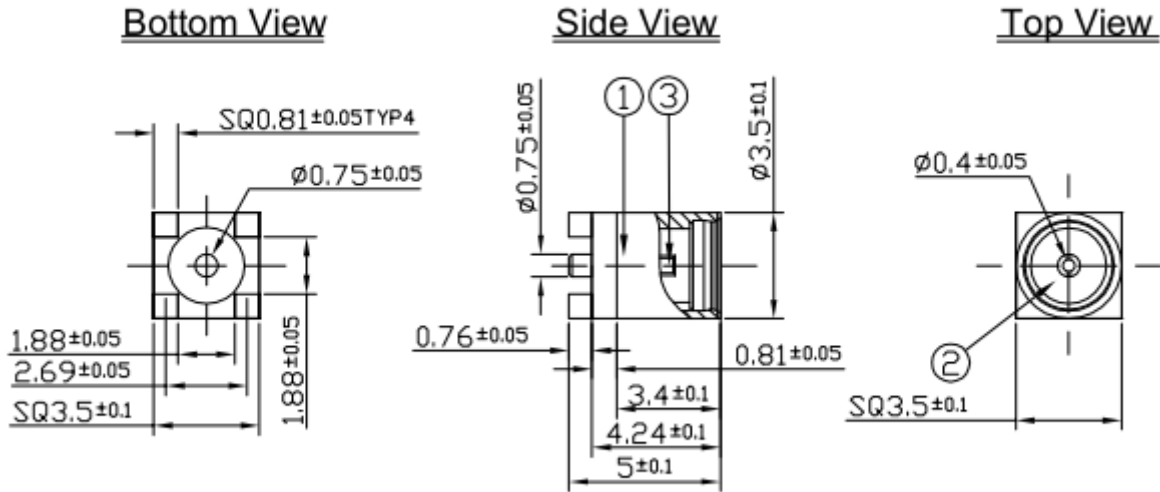
1. Introduction

The PCB.MMCXFSTJ.SMT.HT connector was designed to be surface mounted on a PCB. The connector pin is directly soldered onto pads on the PCB. The connector is a standard MMCX (F) Jack. Taoglas connectors are all RoHS compliant.

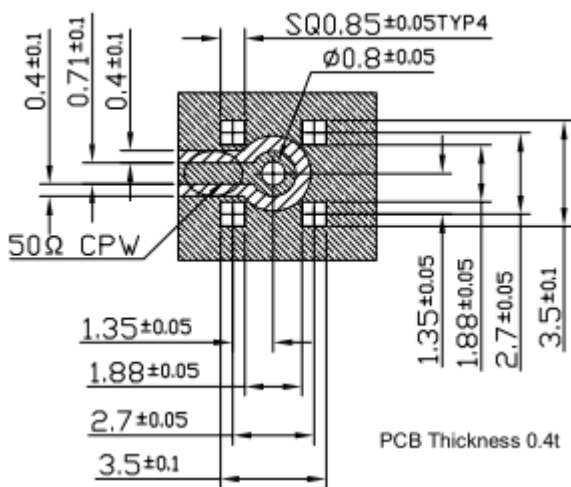
2. Specification

ELECTRICAL	
Impedance	50Ω
Frequency Range	DC~6 GHz
Working Voltage	Max. ≤170 Vrms
Dielectric withstanding Voltage	500 Vrms
Insulation Resistance	≥1000M MΩ
MECHANICAL	
Connector Dimension	5mm*Ø3.5mm
Connector Pin Diameter	0.75 mm
Connector Type	MMCX(F) Jack for surface Mount
ENVIRONMENTAL	
Operating Temperature	-40°C to +85°C


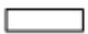

3. Connector Drawing



PCB Footprint



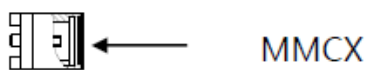
Note:

- 1. Copper with Solder Mask 
- 2. Solder Area 
- 3. Clearance Area 

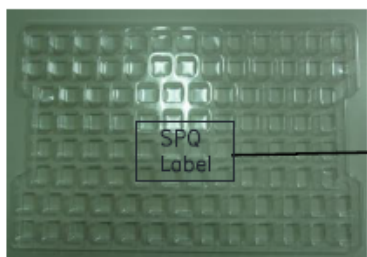
	Name	Material	Finish	QTY
1	Body	Brass	Gold	1
2	Insulator	Teflon	White	1
3	Female Contact	Phosphor Bronze	Gold	1



4. Packaging (Unit: mm)

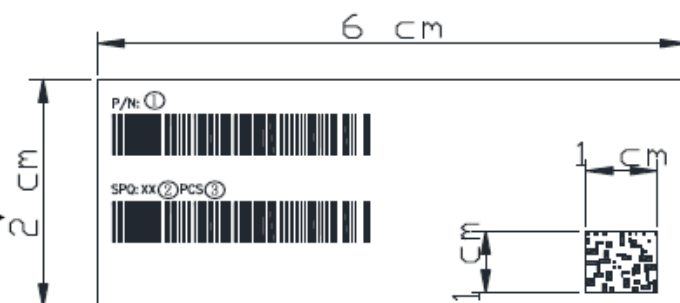


MMCX

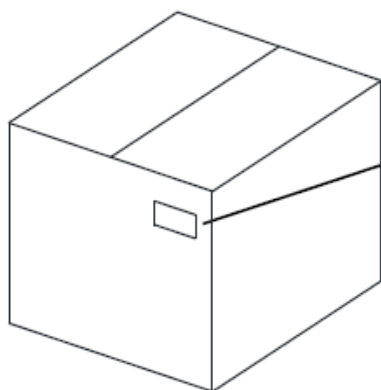


500pcs/Tray (Vacuum)

Tray dimension: 268*180mm



- ①P/N: Taoglas
- ②SPQ QTY: SPQ
- ③Unit:



20000PCS / Carton
(375*285*155mm)



- 1.P/N:
- 2.Description:
- 3.CTN QTY:
- 4.SPQ QTY:
- 5.Purchase No.:
- 6.V/N:
- 7.DATE:yyyy/mm/dd
- 8.Batch No.: Taoglas

I 03 001 0001
 T:正品 03:年 001:制造商 0001:流水号
 P:精品



Taoglas makes no warranties based on the accuracy or completeness of the contents of this document and reserves the right to make changes to specifications and product descriptions at any time without notice.

Taoglas reserves all rights to this document and the information contained herein. Reproduction, use or disclosure to third parties without express permission is strictly prohibited.

© Taoglas