



# TAOGLAS®



# Datasheet

## 915/868MHz Terminal Antenna

**Part No:**  
TI.08.C.0112

### Description

915MHz/868MHz ISM Band Terminal Antenna Fixed Right-Angle SMA(M) Connector

### Features:

Omni-Directional Dipole Antenna  
TPU Housing  
Dimensions: 53x17mm  
SMA Male Right Angle Connector  
RoHS & Reach Compliant

<b>1.</b>	<b>Introduction</b>	<b>2</b>
<b>2.</b>	<b>Specification</b>	<b>3</b>
<b>3.</b>	<b>Antenna Characteristics</b>	<b>4</b>
<b>4.</b>	<b>Radiation Patterns</b>	<b>7</b>
<b>5.</b>	<b>Mechanical Drawing</b>	<b>10</b>
<b>6.</b>	<b>Packaging</b>	<b>11</b>
<hr/>		
	Changelog	12

Taoglas makes no warranties based on the accuracy or completeness of the contents of this document and reserves the right to make changes to specifications and product descriptions at any time without notice. Taoglas reserves all rights to this document and the information contained herein. Reproduction, use or disclosure to third parties without express permission is strictly prohibited.



# 1. Introduction



The Taoglas TI.08.C.0112 is a high performance antenna covering both 915MHz and 868MHz, small form factor, dipole omni-direction terminal mount antenna. This antenna features an SMA(M) right angle connector as standard.

Some typical applications include:

- Smart Lighting
- Remote Monitoring
- IoT (Internet of Things)
- Smart Metering

This antenna is fabricated using TPU, which is a lightweight robust material used on several other Taoglas products. The TI.08.0112 can function impressively with a small ground plane while maintaining high efficiencies, on the band 863~870 it can reach at least 53% on a 15x9cm ground plane. The antenna connector type can be customizable, please contact your regional Taoglas sales facility for support.

## 2. Specification

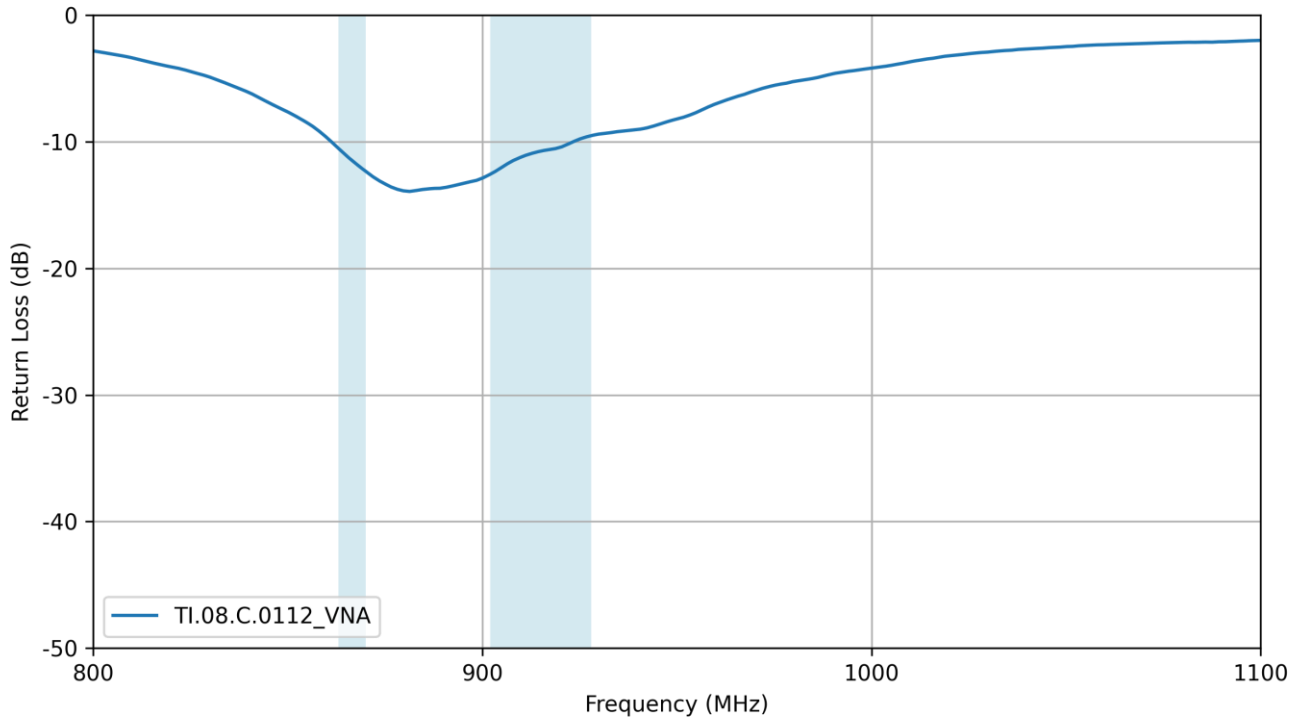
Electrical								
Band	Frequency (MHz)	Efficiency (%)	Average Gain (dB)	Peak Gain (dBi)	Impedance	Polarization	Radiation Pattern	Input power
868MHz	863-870	69.1	-1.60	2.47	50 Ω	Linear	Omni	50 W
915MHz	902-928	71.9	-1.43	2.91				

Mechanical	
Height	53 ± 2 mm
Diameter	Ø7 ± 0.2 mm
Width	17 ± 0.8 mm
Casing	TPU
Connector	SMA(M) RA

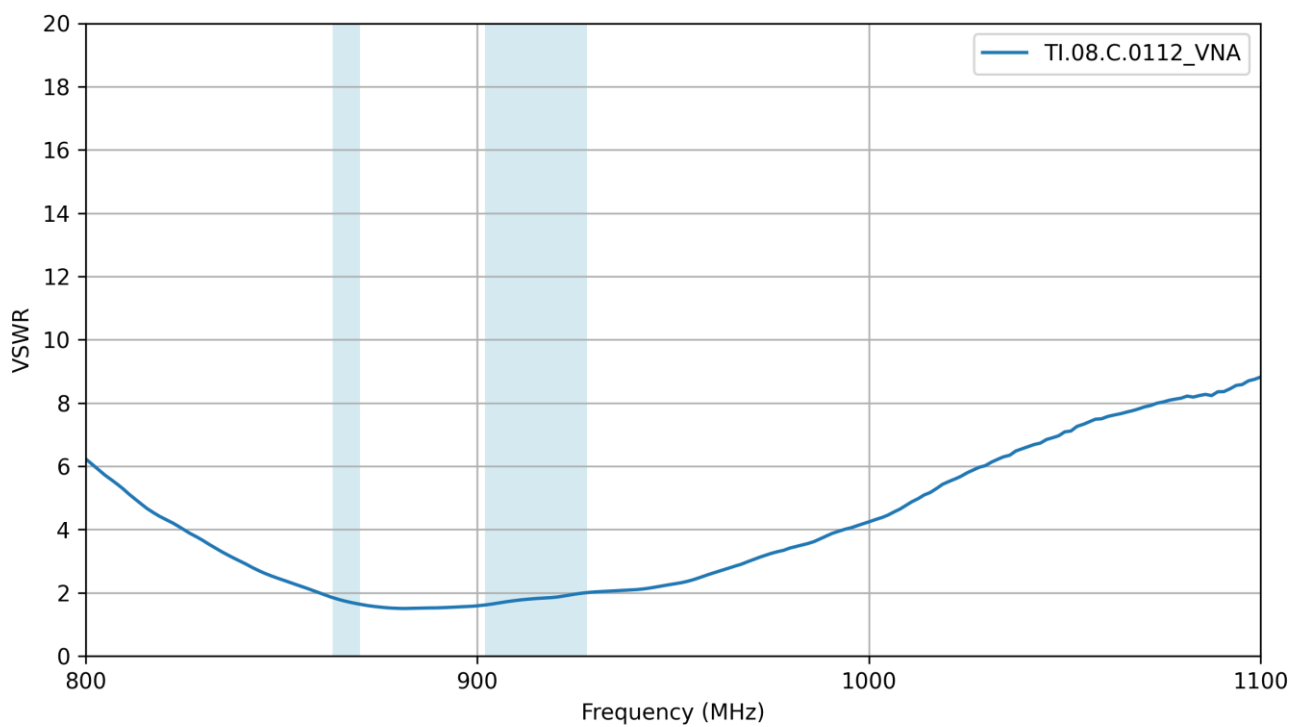
Environmental	
Temperature Range	-40°C to 70°C

### 3. Antenna Characteristics

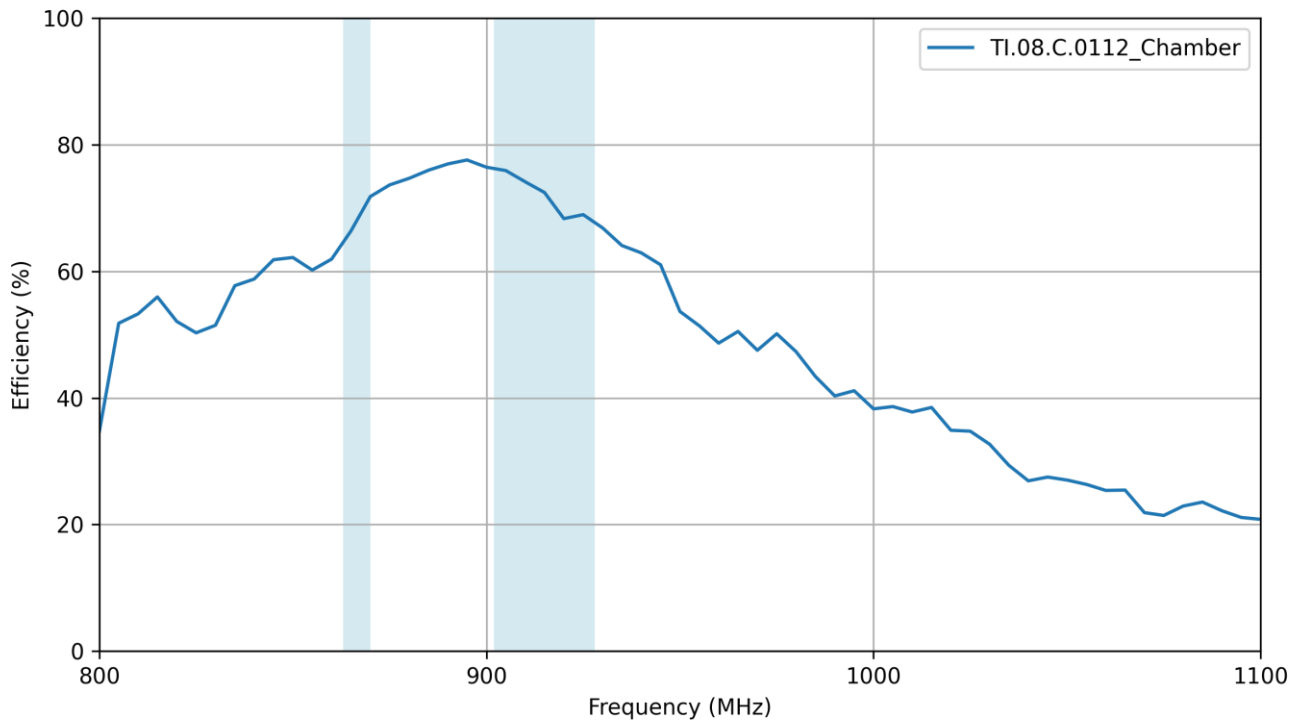
#### 3.1 Return Loss



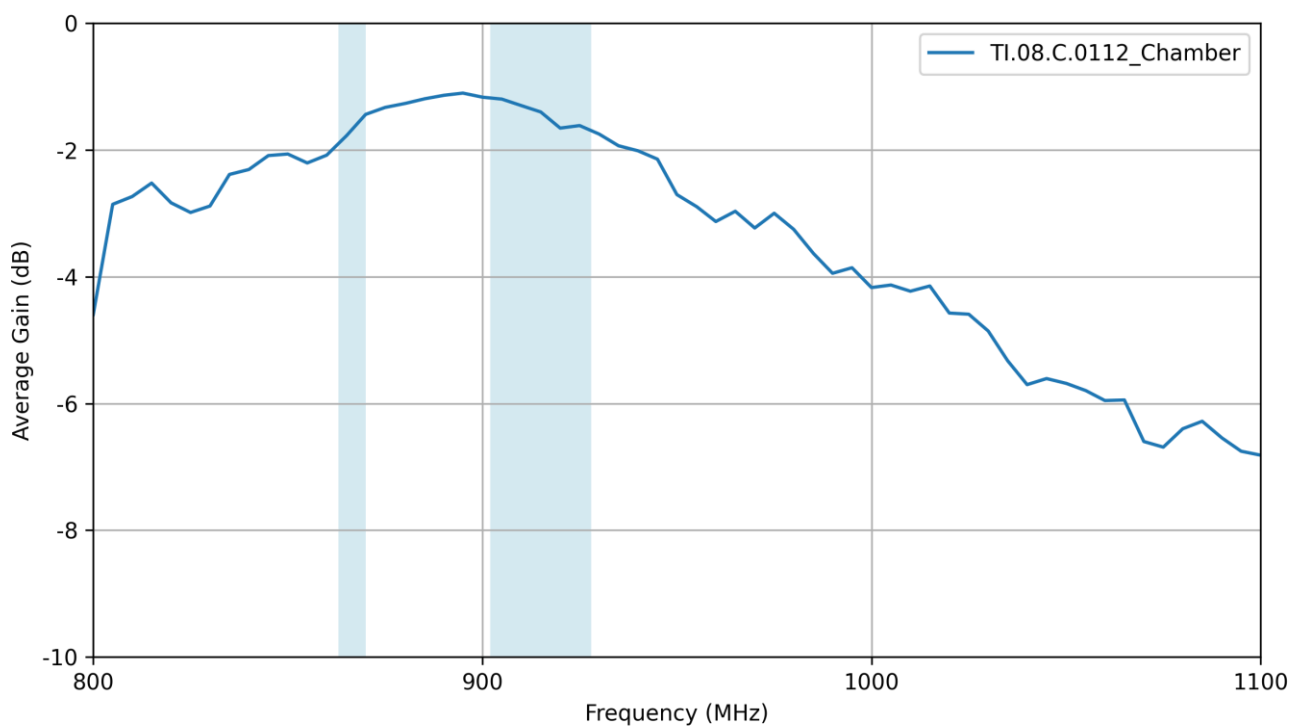
#### 3.2 VSWR



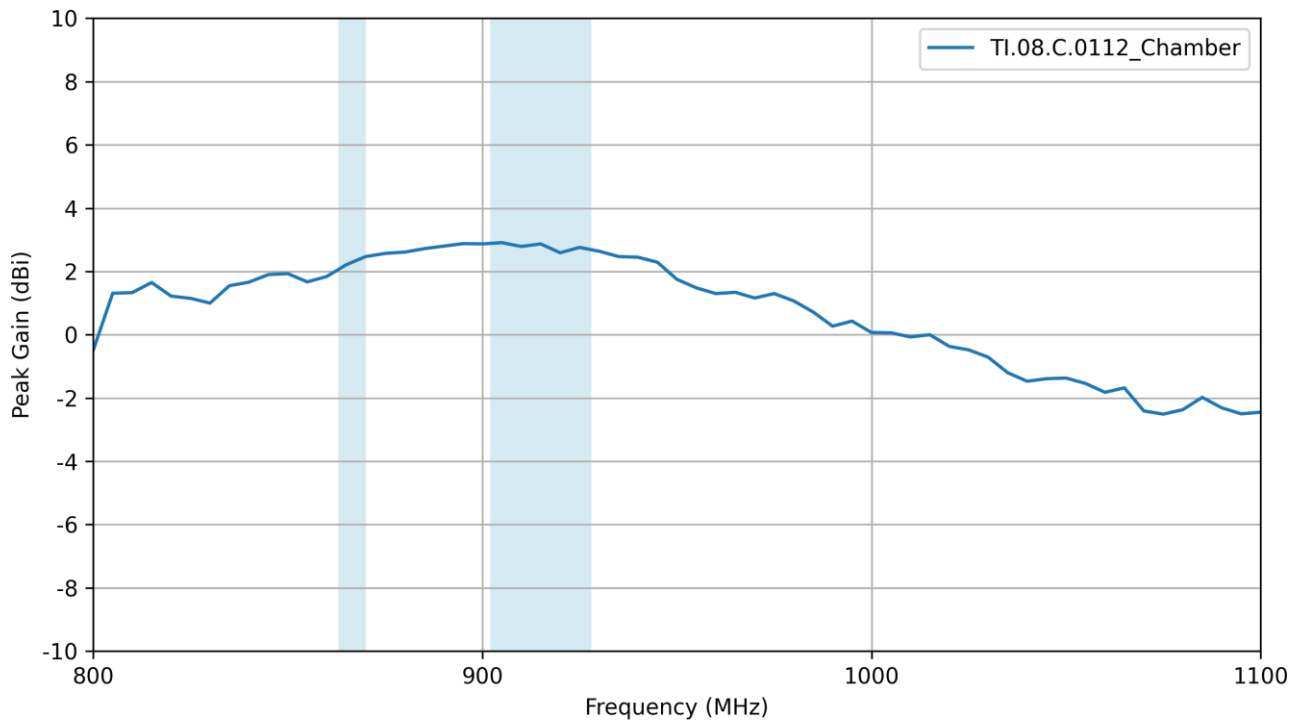
### 3.3 Efficiency



### 3.4 Average Gain

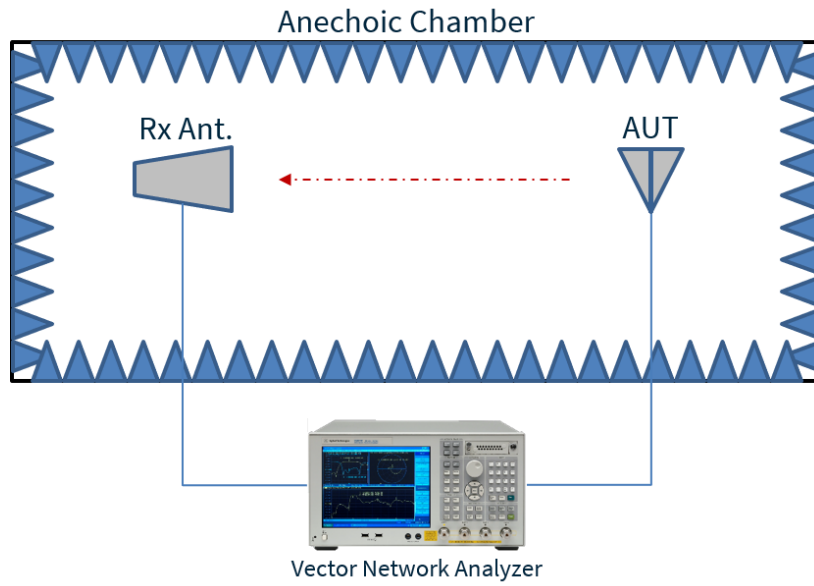


3.5 Peak Gain



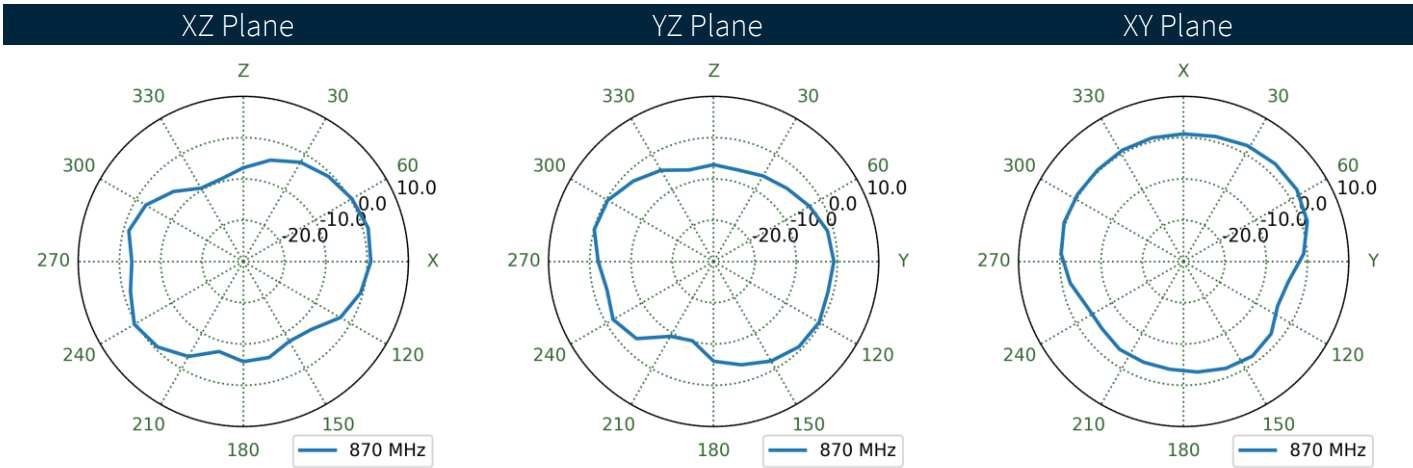
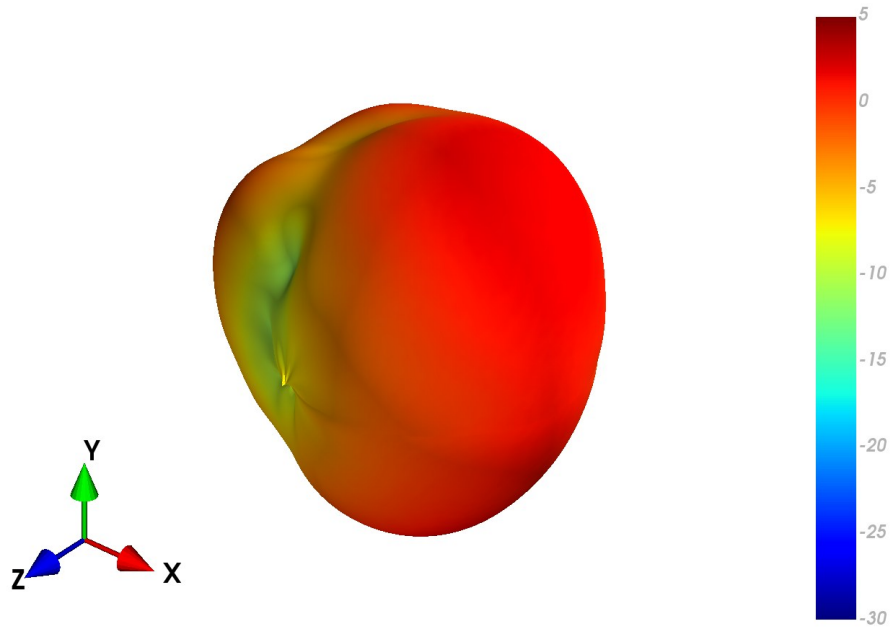
## 4. Radiation Patterns

### 4.1 Test Setup

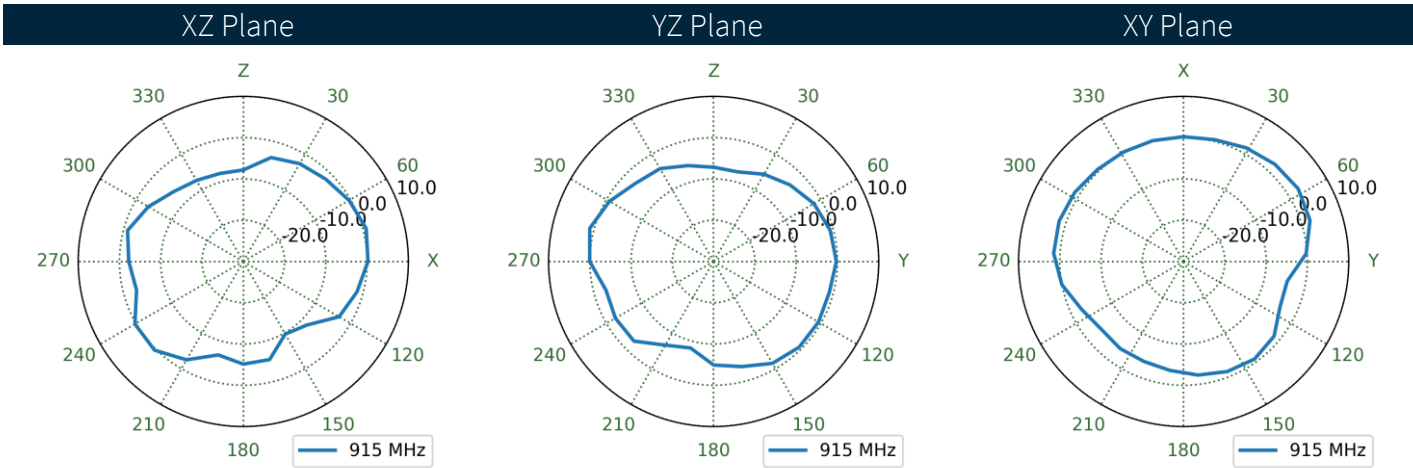
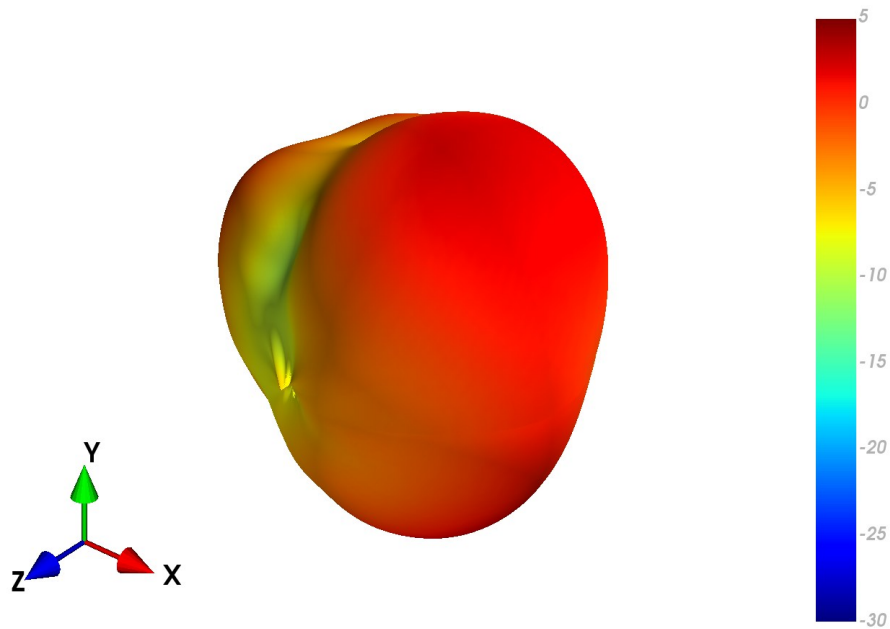




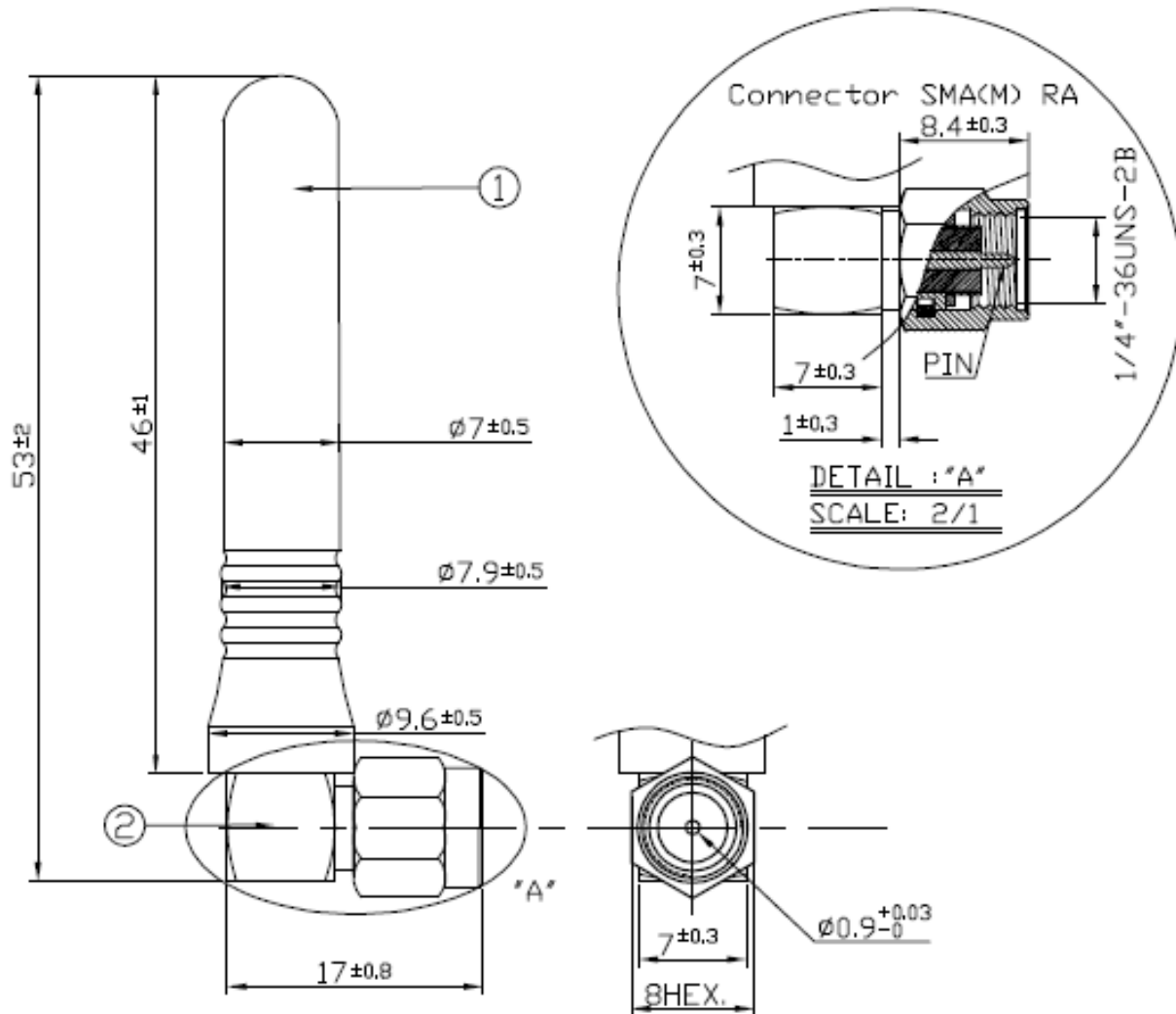
4.2 TI.08.C.0112\_Chamber Patterns at 868 MHz



4.3 TI.08.C.0112\_Chamber Patterns at 915 MHz



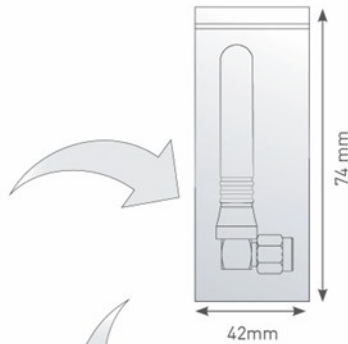
## 5. Mechanical Drawing



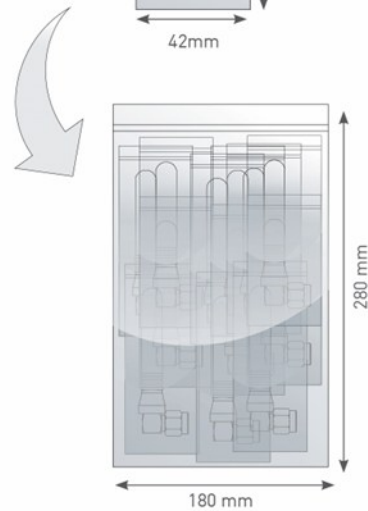
	Name	P/N	Material	Finish	QTY
①	Antenna Cover	000111G000002A	TPU	Black	1
②	SMA(M) RA	210211G010002A	Brass	Gold	1

## 6. Packaging

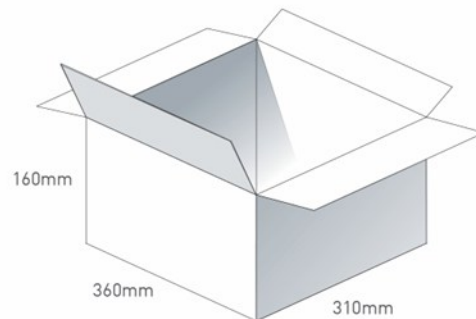
1 pcs TI.08.C.0112 per PE Bag  
 PE Bag Dimensions - 42\*74mm  
 Weight - 7.5g



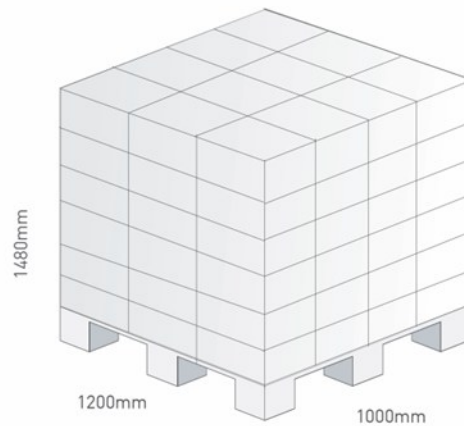
100 PE Bags per Large PE Bag  
 100 pcs TI.08.C.0112 per Large PE Bag  
 Large PE Dimensions - 180\*280mm  
 Weight - 0.761kg



15 Large PE bags per carton  
 1500 pcs TI.08.C.0112 per carton  
 Carton Dimensions - 360\*310\*160mm  
 Weight - 12kg



Pallet Dimensions 1200mm\*1000mm\*1480mm  
 72 Cartons per Pallet  
 9 Cartons per layer  
 8 Layers



Changelog for the datasheet

**SPE-11-8-039 – TI.08.C.0112**

**Revision: D (Current Version)**

Date:	2022-12-09
Changes:	Full datasheet update
Changes Made by:	Gary West

**Previous Revisions**

**Revision: C**

Date:	2019-04-02
Changes:	Added new introduction and data
Changes Made by:	Jack Conroy

**Revision: B**

Date:	2011-11-15
Changes:	Packaging amended
Changes Made by:	Aine Doyle

**Revision: A (Original First Release)**

Date:	2011-07-16
Notes:	
Author:	Aine Doyle



[www.taoglas.com](http://www.taoglas.com)

