

## PCN – Process Change Notification

Change:	OMB.915.B03F21
Date:	2017/04/11
Author	Haley Tsai

### Affected Products

Model#	Part Number	Changes
915MHz 3dBi Omni Antenna, With N type Female Connector, U-Bolt, 320mm Length	OMB.915.B03F21	<ol style="list-style-type: none"> <li>1. Amend Aluminium tube Holder Size</li> <li>2. Amend Holder Design.</li> <li>3. Amend Antenna Length</li> <li>4. Amend Washer and Nut Quantity</li> <li>5. Add Spring Washer</li> <li>6. Amend Washer, Nut and Connector Dimensions.</li> </ol>

### Type of Change

- Hardware Modification  
 Production Process Advance  
 Others –Amend Aluminium tube Holder Size  
     Amend Holder Design.  
     Amend Antenna Length.  
     Amend Washer and Nut Quantity.  
     Add Spring Washer.  
     Amend Washer, Nut and Connector Dimensions.

### Description of Change

1. Amend Aluminium tube Holder Size.\
2. Amend Holder Design.
3. Amend Antenna Length to 320mm.
4. Amend Bolt, Washer and Nut Quantity.
5. Add Spring Washer.
6. Amend Washer, Nut and Connector Dimensions.

### Schedule

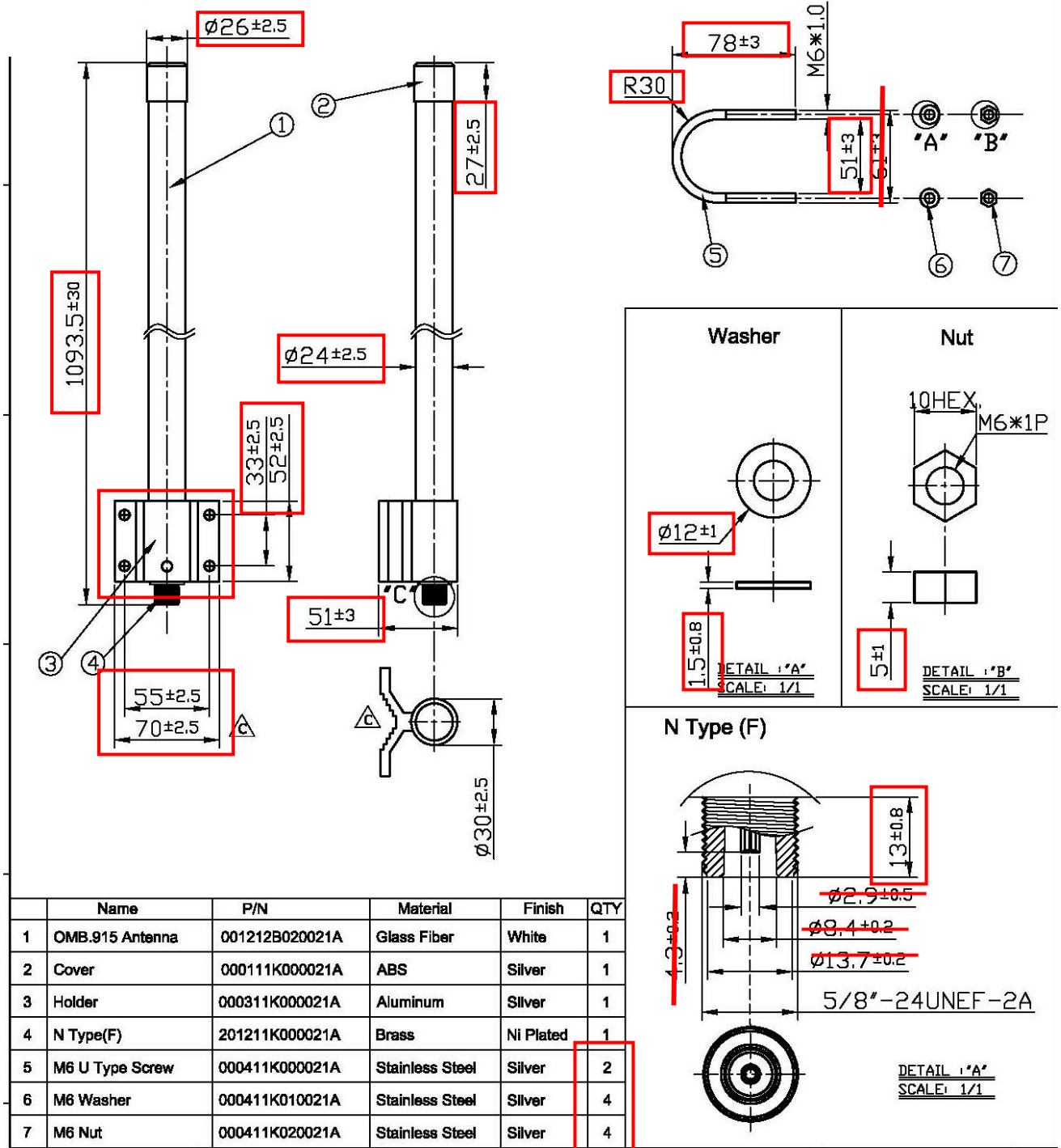
2017, April, Taoglas will provide new drawing rule into production.

### Forecast Estimated Transition Date

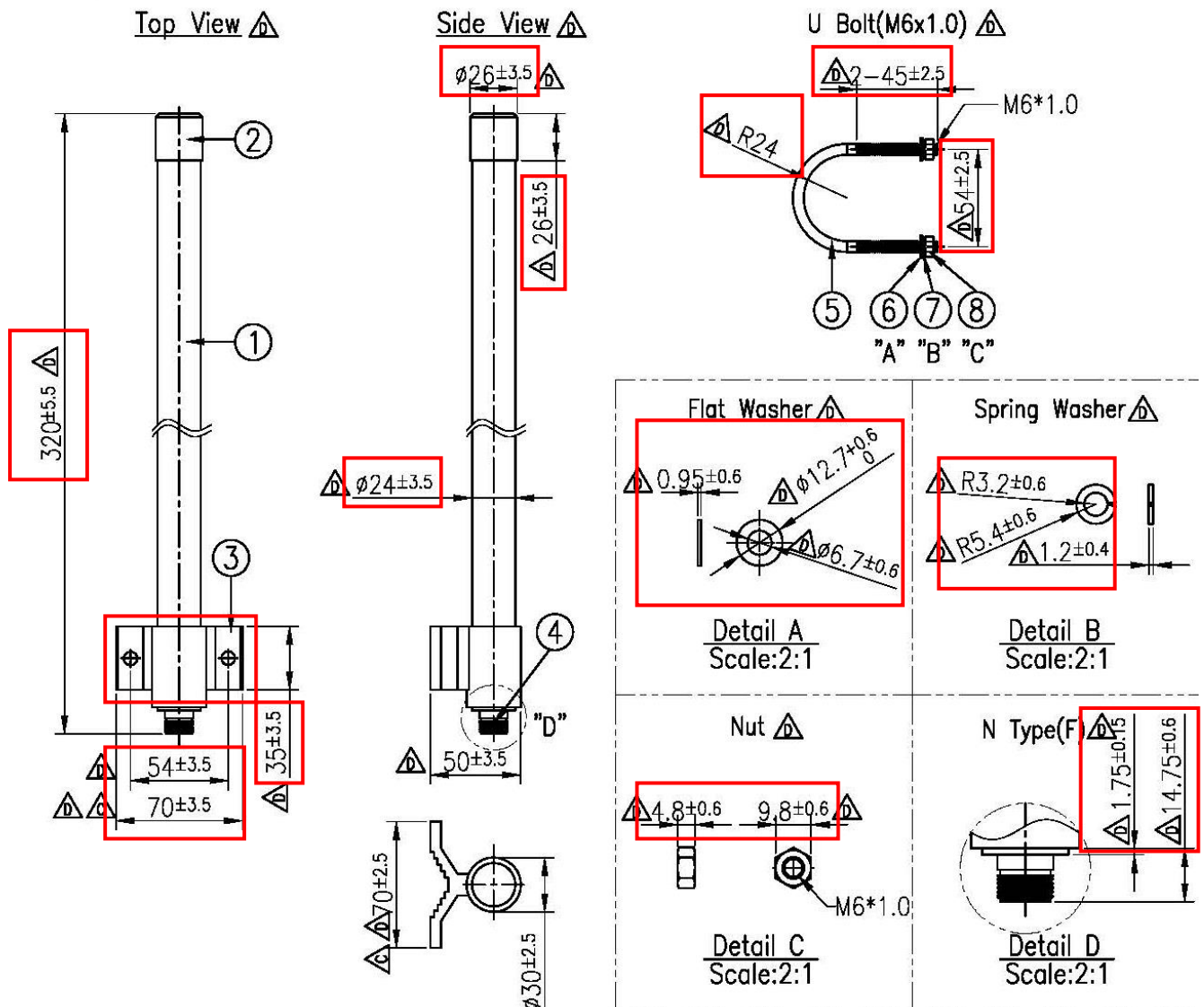
**April/2017**

### Illustration of Change

### Old drawing



New drawing



	Name	P/N	Material	Finish	QTY
1	OMB.915 Antenna	001212B020021A	Glass Fiber	White	1
2	Cover	000111K000021A	ABS	Sliver	1
3	Holder	000311K000021A	Aluminum	Silver	1
4	N Type(F)	201211K000021A	Brass	Ni Plated	1
5	M6 U Bolt	000416H000021A	Stainless Steel	Sliver	1
6	M6 Washer	000416H010021A	Stainless Steel	Silver	2
7	M6 Spring Washer	000416H020021A	Stainless Steel	Sliver	2
8	M6 Nut	000416H030021A	Stainless Steel	Sliver	2