

## PCN – Process Change Notification

Change:	CAB.038
Date:	2017/06/29
Author	Haley Tsai

### Affected Products

Model#	Part Number	Changes
RP-SMA(F) Jack to IPEX MHFI 1.37mm 65mm	CAB.038	1. Amend Package Rule.

### Type of Change

- Hardware Modification  
 Production Process Advance  
 Others –Amend Package Rule.
- 

### Description of Change

1. Amend Package Rule.

### Schedule

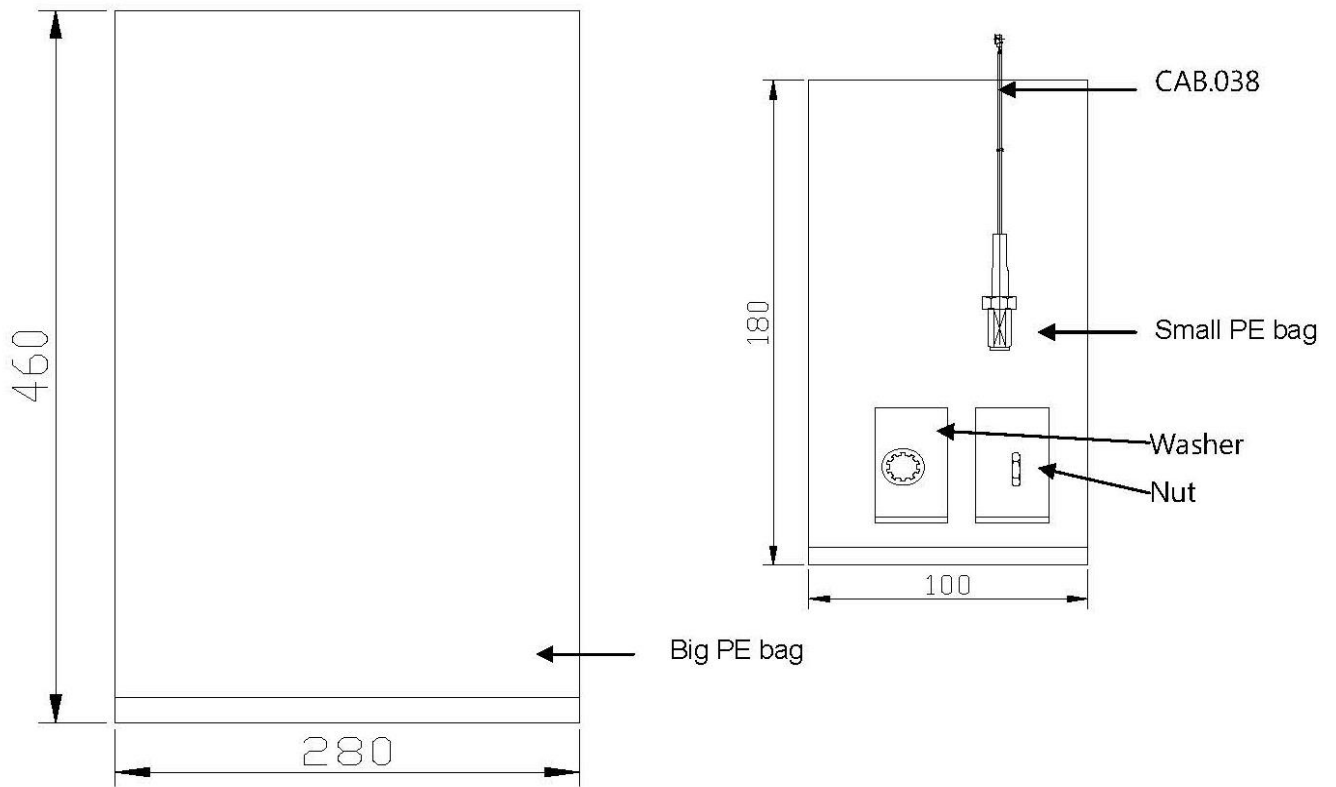
2017, July, Taoglas will provide new package rule into production.

### Forecast Estimated Transition Date

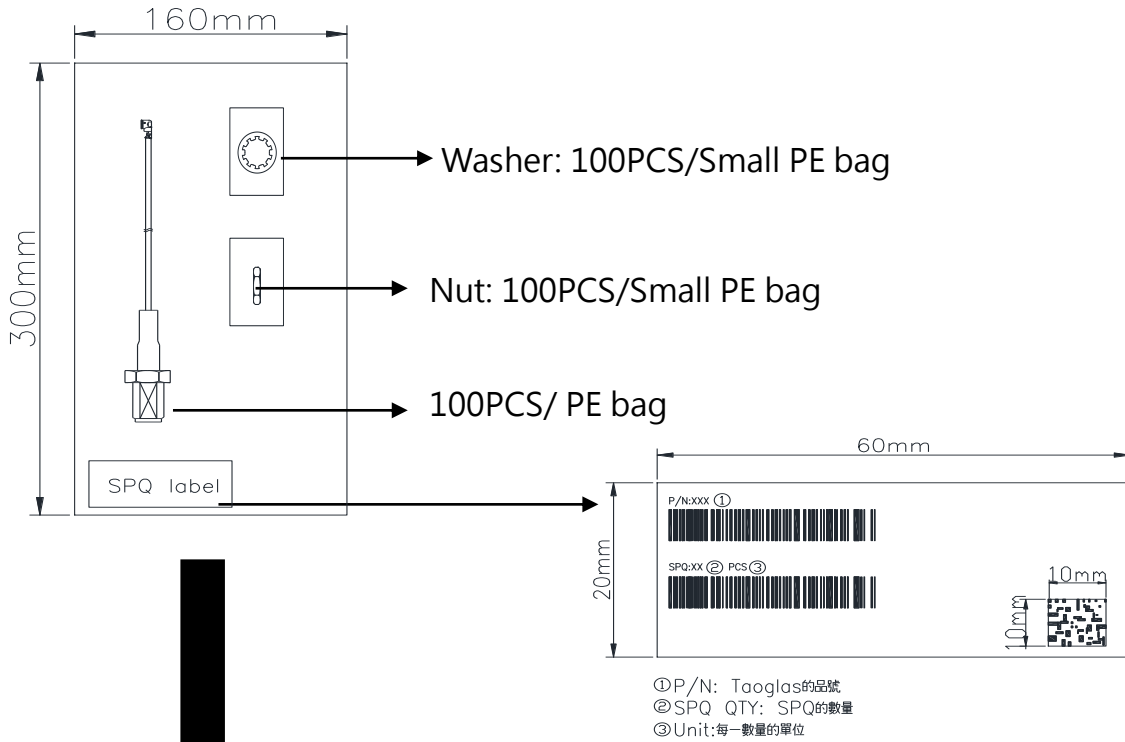
**July/2017**

**Illustration of Change**

**Old Package**



### New Package



2500PCS/Carton  
(320x250x230mm)