

## PCN – Process Change Notification

Change:	AA.162.501111.ib
Date:	2017/10/12
Author	Bonnie Chen

### Affected Products

Model#	Part Number	Changes
AA.162 Ulysses(No Magnet) GPS GLONASS Antenna 28dB with 5M RG-174 SMA(M) w/3M9448 + 1T CR foam	AA.162.501111.ib	Amend Details of Drawing.

### Type of Change

- Hardware Modification  
 Production Process Advance  
 Others –Amend Details of Drawing.
- 

### Description of Change

1. Adhesive tape not to be stick on antenna but attached with antenna in PE bag
2. Silver sticker with serial number remains as per standard product
3. Remove GNSS label from cable per customer (ICOM) requested.
4. Add "Made in Taiwan" at silver sticker

### Schedule

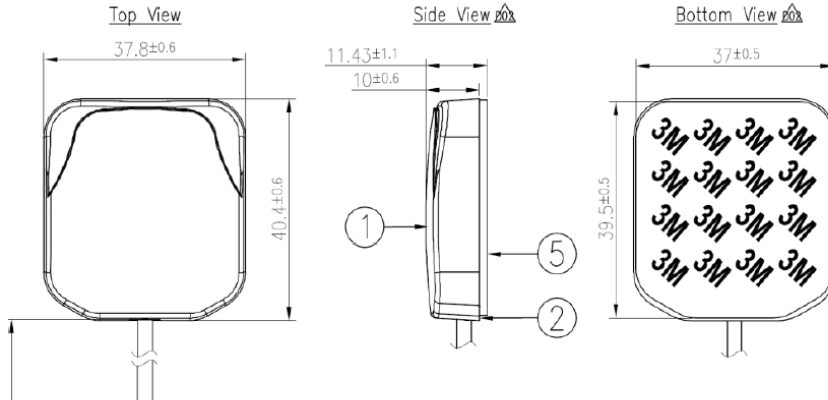
2017, October, Taoglas will provide new drawing into production.

### Forecast Estimated Transition Date

**Oct/2017**

### Illustration of Change

#### Old Drawing



	Name	P/N	Material	Finish	QTY
1	Housing Top	000116K000000A	ABS	Black	1
2	Housing Bottom	000116K010000A	ABS	Black	1
3	GPS-Glonass Label	001012K010051A	PEPA	Orange	1
4	Heat Shrink Tube	001315C020000A	PE	Black	1
5	3M Double Adhesive With Black Foam	001016K010000A	CR4305+3M 9448HKG	White Liner	1

#### New Drawing

